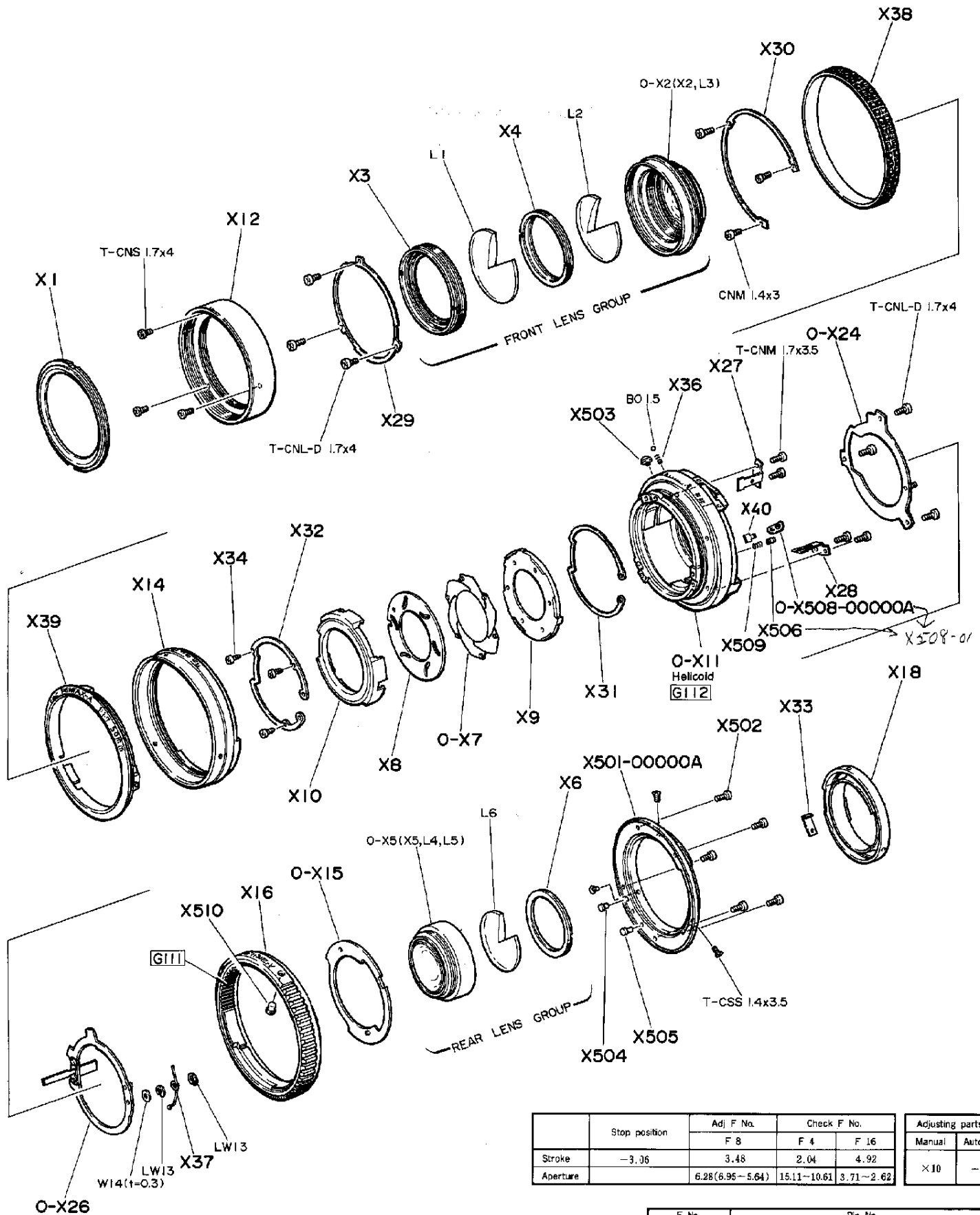


# EXPLODED ILLUSTRATION



	Stop position	Adj. F No.			Check F No.			Adjusting parts	
		F 8	F 4	F 16	F 8	F 4	F 16	Manual	Auto
Stroke	-3.36	3.48	2.04	4.92					
Aperture		6.28(6.95-5.64)	15.11-10.61	3.71-2.62				×10	-

F No.		Pin No.					
F MAX	F MIN	1.(FO1)	2.(FOM)	3.(A/M)	4.(FCL)	5.(FO2)	6.(FO3)
1.7	22	ON	ON	ON/OFF	ON	OFF	ON

**Product No.38305**  
**SMC PENTAX-A 1 : 1.7 50mm**