

XCD 3,5/30mm

The **XCD 30mm** is a wide angle lens for the X1D. Its focal length provides a 24mm equivalent field of view, making it the perfect landscape, reportage and travel lens. The lens boasts extremely high performance and a compact build, providing a 71° horizontal angle of view. A unique feature of this lens is that it will keep its amazing performance even when shooting at close distances.

All XCD lenses contain a lens shutter with shutter speeds from 60 minutes to 1/2000 second. Providing flash sync at all speeds, this allows complete freedom when mixing flash and daylight. The lens shutter also generates very little vibration providing hand-held shots with perfect sharpness.

GENERAL LENS DATA

Focal length	31.0 mm
Equivalent Focal length (24x36)	24 mm
Aperture range	3.5 - 32
Angle of view diag/hor/vert	83°/71°/56°
Length/diameter	88 mm/83 mm
Weight (excl. covers and lens shade)	550 g
Filter diameter	77 mm
Product number	3025030

CLOSE FOCUS RANGE DATA

Minimum distance object to image plane	0.4 m
Maximum image scale	1:9.6
Corresponding area of coverage	42 x 32 cm
Corresponding exposure reduction	0.3 f-stops

COMPATIBILITY

- Hasselblad X1D cameras



LENS DESIGN

11 elements in 10 groups
1 aspherical element

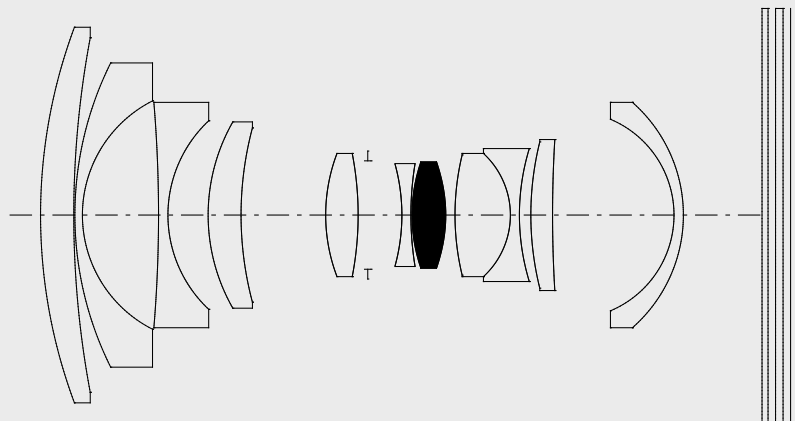
FOCUS TYPE

Full focusing with floating mechanism

ENTRANCE PUPIL POSITION

75 mm in front of image plane

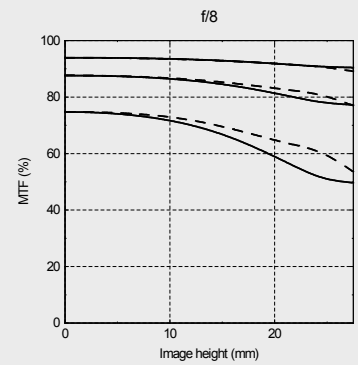
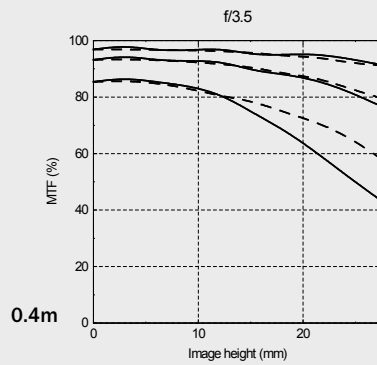
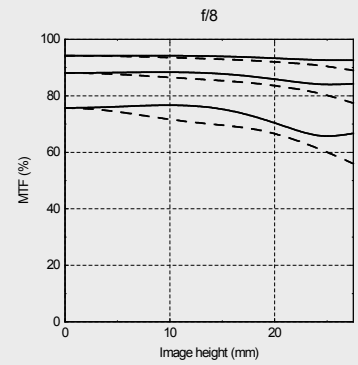
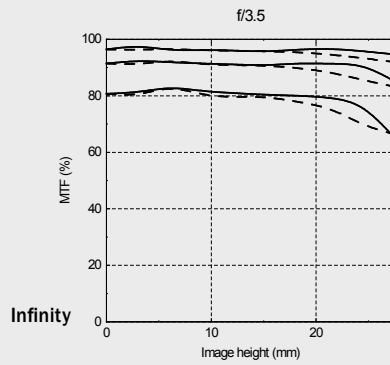
The entrance pupil position is the correct position of the axis of rotation when making a panorama image by combining individual images of a scene.



MTF

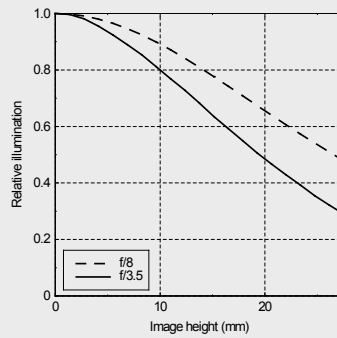
Modulation Transfer as a function of image height at infinity and close range settings.

Sagittal slit orientation drawn with continuous line and tangential with dashed. White light. Spatial frequencies 10, 20 and 40 lp/mm



RELATIVE ILLUMINATION

Infinity setting



DISTORTION

Infinity setting

