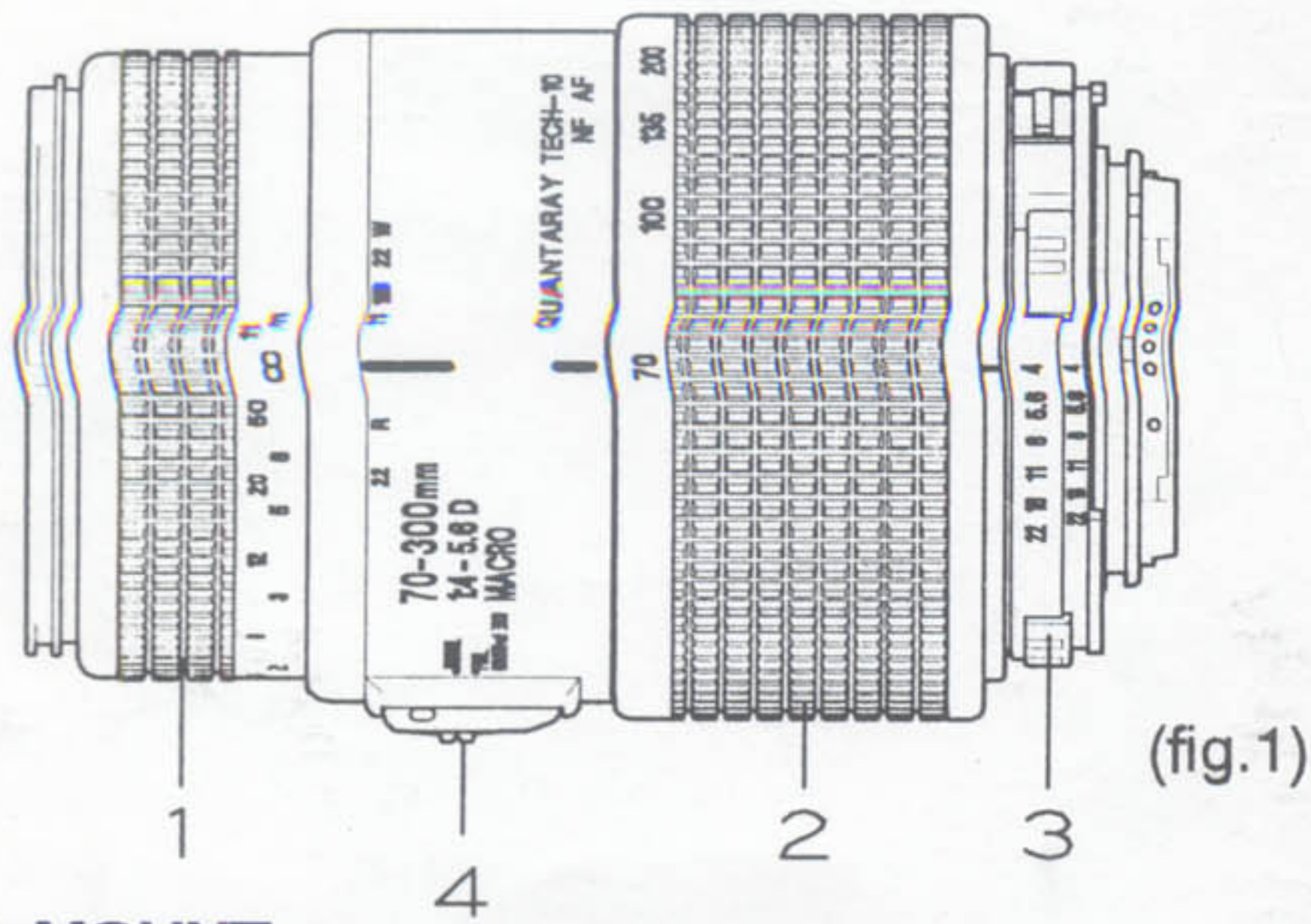


QUANTARAY

Autofocus Lens Manualfocus Lens 70-300mm F4-5.6 MACRO



(fig.1)

TO MOUNT :

Your Quantaray lens is attached to your camera and will function automatically in the same manner as your normal lens.

FOCUSING (Autofocus lens) :

1. Auto Focusing

When you use the AF lens with the AF camera body, Auto Focusing is possible. Select the autofocus mode on your camera body (set the focus mode switch on the lens to "AF" for Canon AF lens). In the autofocus mode, your camera will set the focus automatically. While focusing, please do not touch the focusing ring around the lens.

2. Manual Focusing

You can set the focus by turning the focusing ring. When you focus manually with AF lens, select the manual focus mode on your camera body (set the focus mode switch on the lens to "M" for Canon AF lens).

FOCUSING (Manualfocus lens) :

You can focus by turning the focusing ring.

ZOOMING :

Rotate the rubber grip on the zoom ring to the desired position.

OPERATION OF MACRO SWITCH :

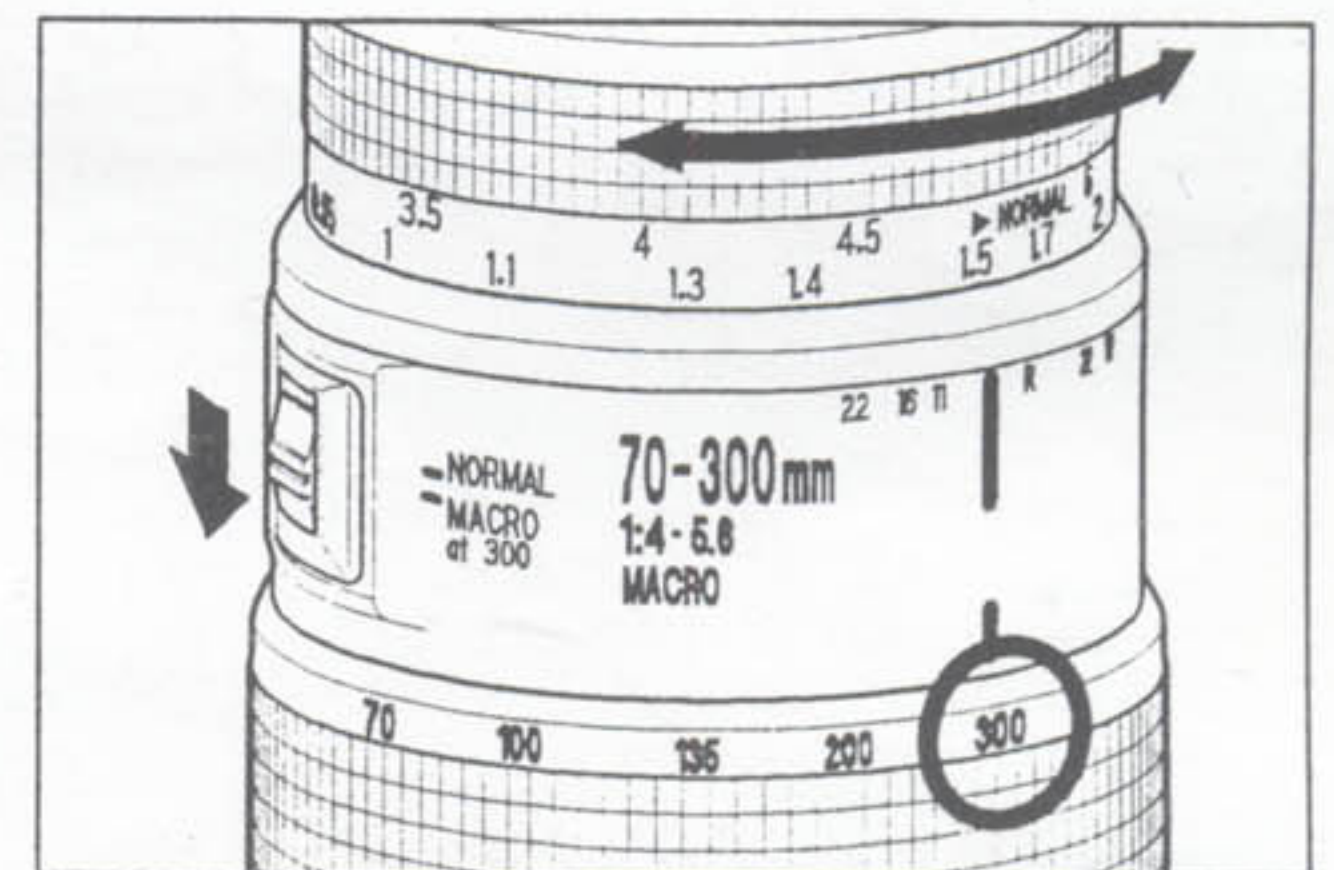
1. Set the zoom ring to the maximum telephoto setting.

2. Turn the Macro Switch to the MACRO position (fig.2). Now the focus ring will turn from infinity to macro range. The Macro Switch will not be able to be changed to the MACRO position if the zoom ring is set on other than the maximum telephoto setting.

◆ While the Macro Switch is set on the MACRO position, the zoom ring is locked in the maximum telephoto setting and zooming is not possible. To avoid damage to the lens, please do not force the zoom ring to turn.

3. To return to the normal mode, please turn the Macro Switch to the NORMAL position while the focus ring is out of the macro range. If the focus ring is in the macro range, the switch will not move.

(fig.2)



INFRARED PHOTOGRAPHY :

For the 70mm setting, First focus in the normal way. Then set the focus switch to manual focus mode (AF lens). Turn the focusing ring manually so that the distance scale marking that was previously aligned with the focus index mark is now aligned with the infrared guide mark "R".

■ LENS SPECIFICATIONS

LENS CONSTRUCTION	11 - 14
ANGLE OF VIEW	34° ~ 8°
MINIMUM APERTURE	F22 ~ 32
MINIMUM FOCUSING DISTANSE	0.95m(37.4in) Magnification 1:2
FILTER (SCREW-IN) SIZE	58mm
DIMENSION	φ70mm × 117.7mm (φ3in × 4.6in)
WEIGHT (NET WITHOUT CASE FOR NIKON MOUNT)	590g (20.8oz)