

Canon

**EF 300mm 1:2.8 L USM
REF.NO.C21-8252**

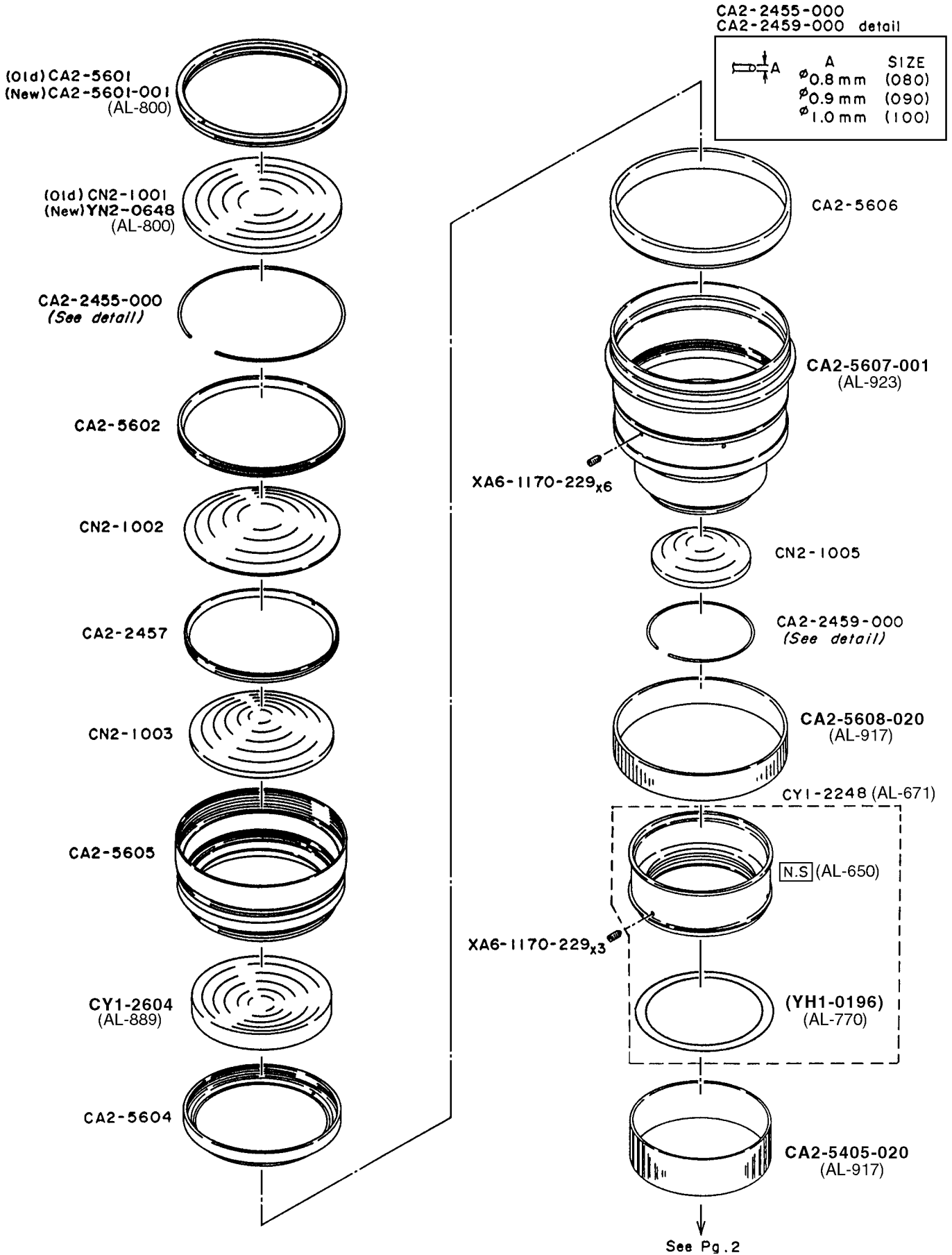
CANON LENS HOOD

ET-118	FOR EF300mm 1:2.8L	C44-8121
ET-118 II	FOR EF300mm 1:2.8L	C44-8122

PARTS CATALOG

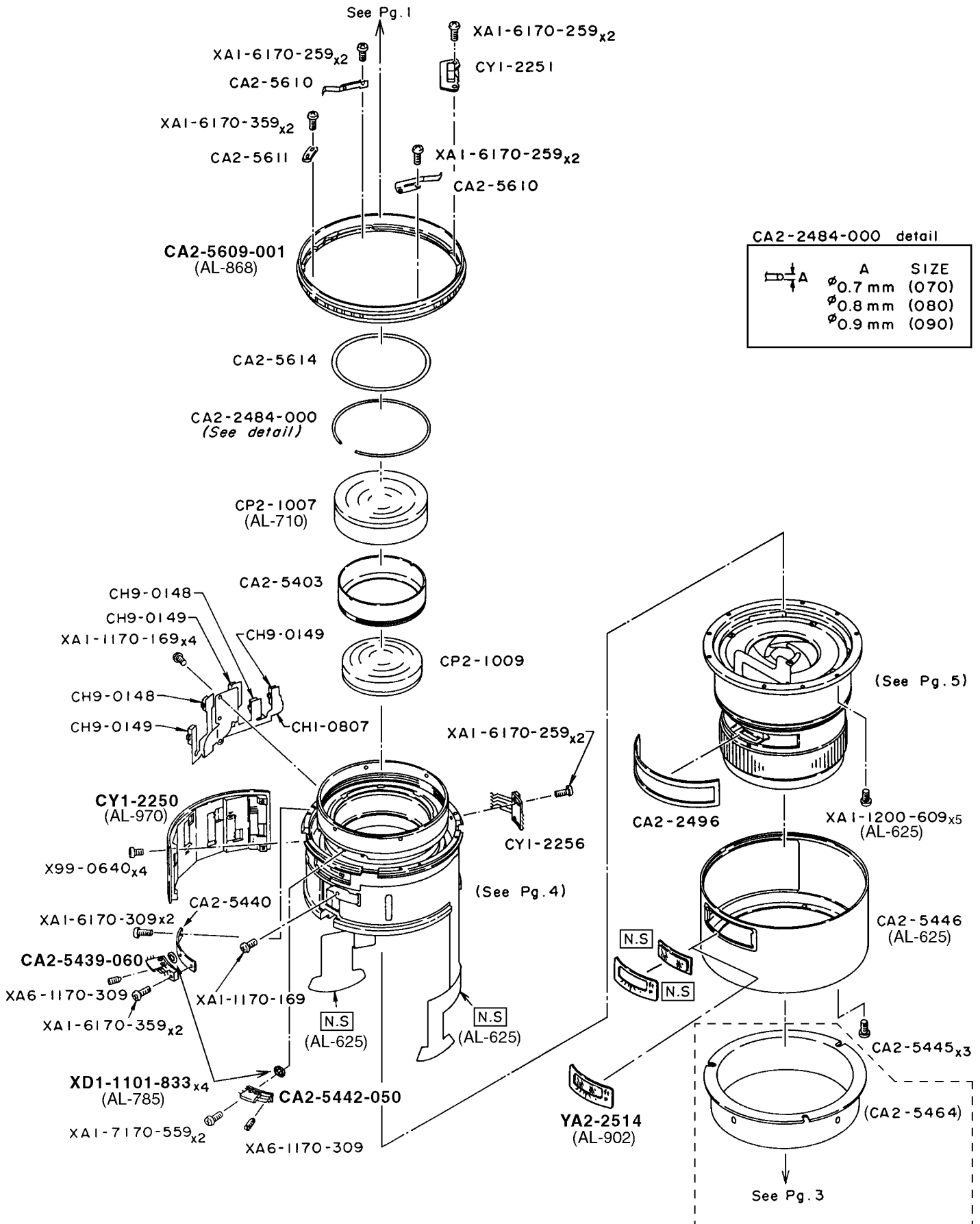
CANON LENS EF 300 mm 1:2.8 L USM

REF.NO. C21-8252



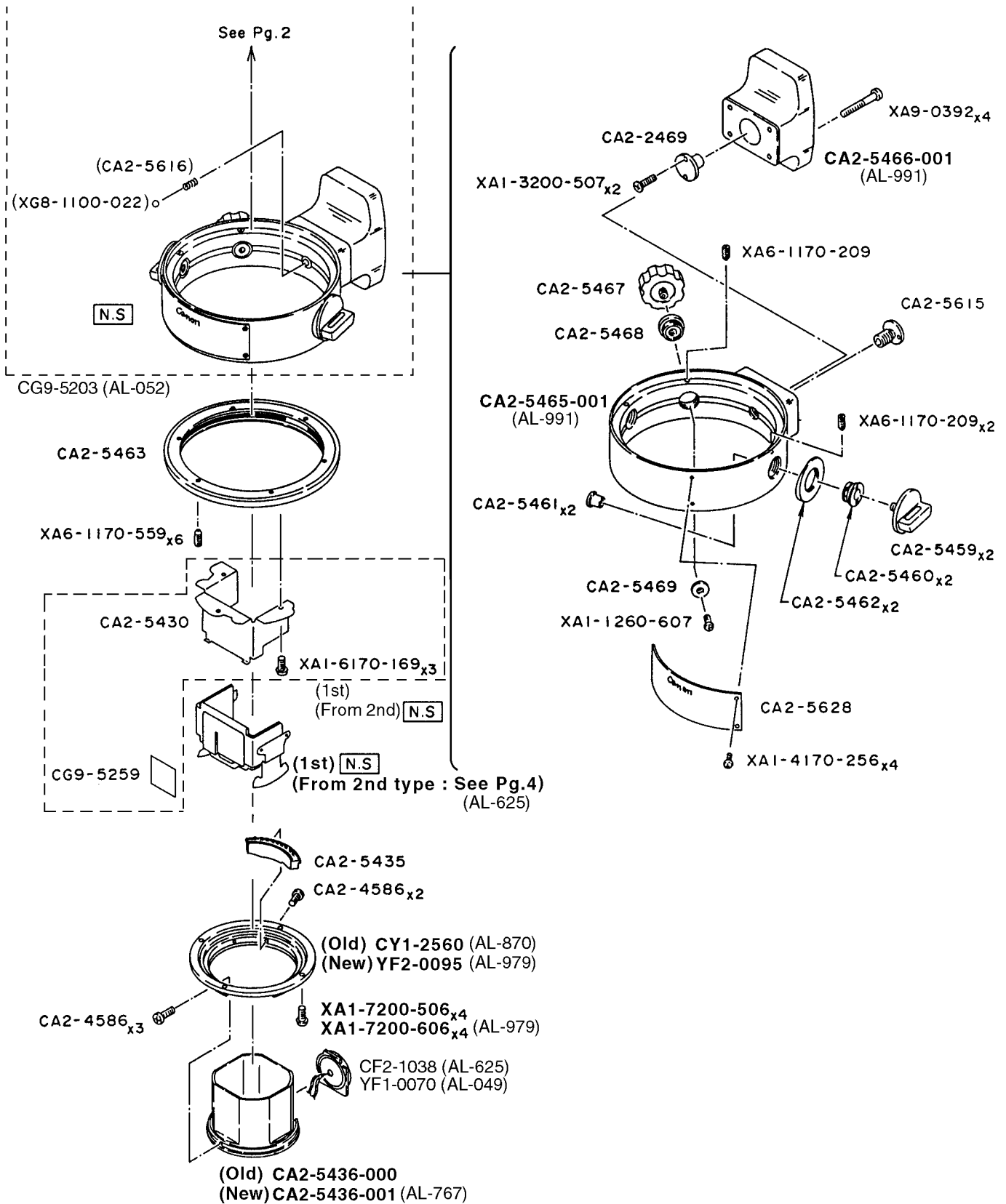
CANON LENS EF 300 mm 1:2.8 L USM

REF.NO. C21-8252



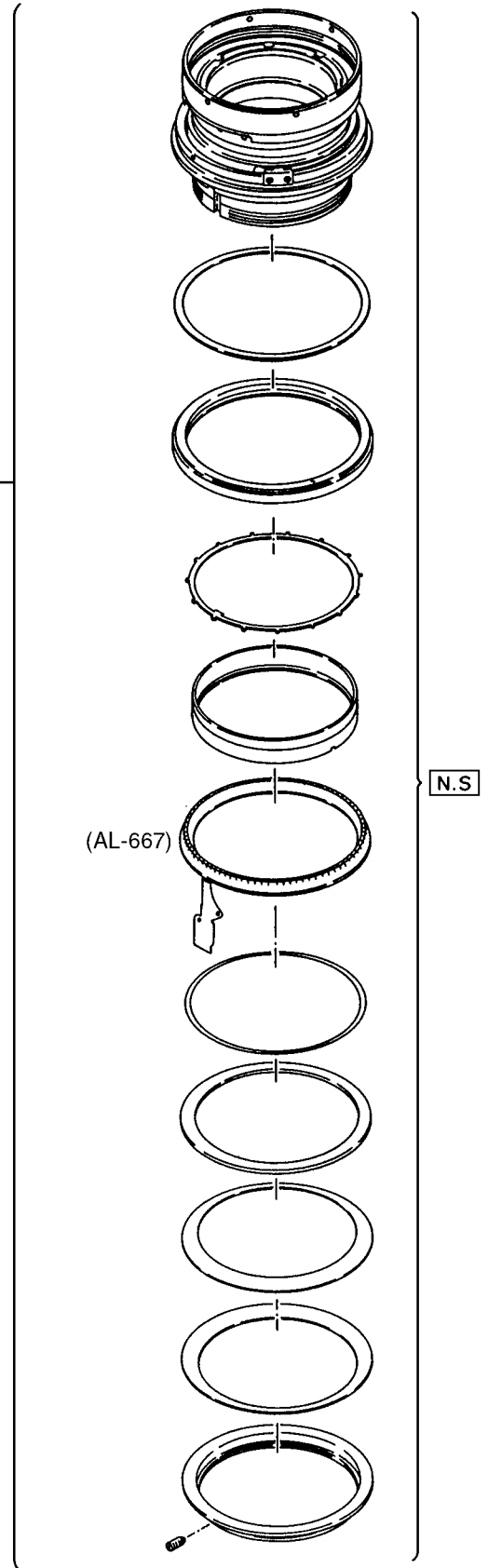
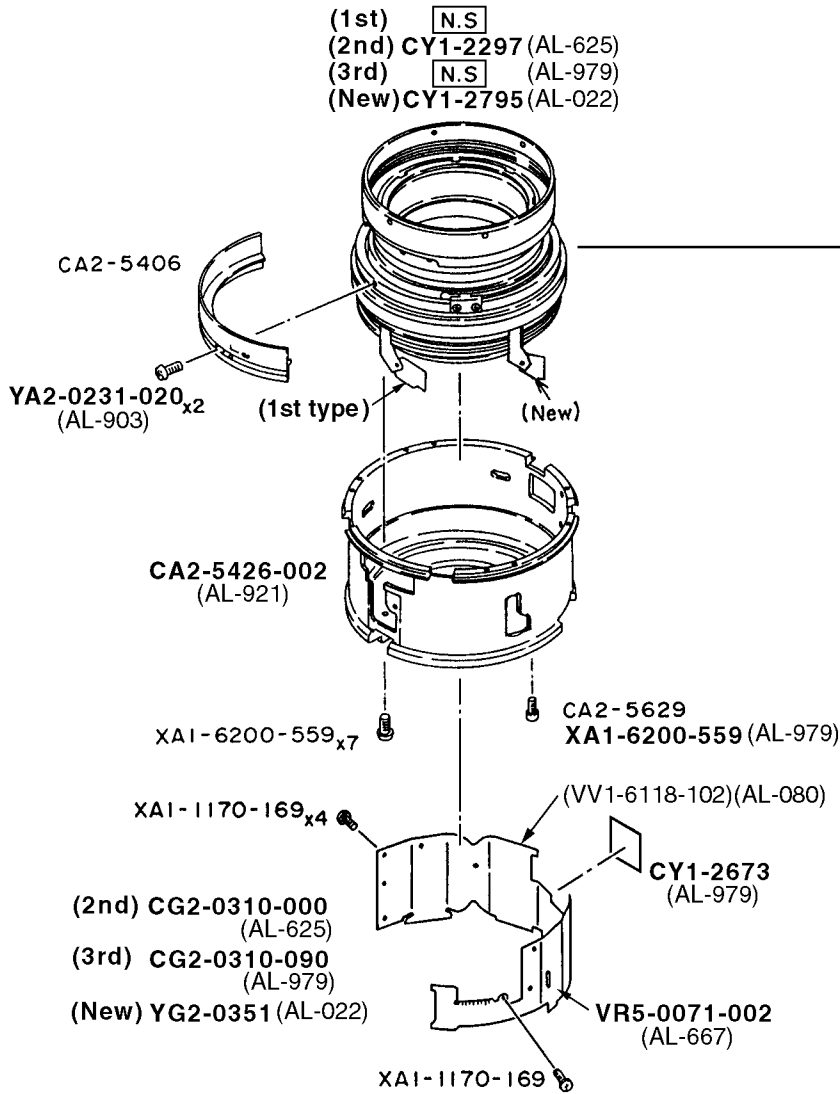
CANON LENS EF 300 mm 1:2.8 L USM

REF.NO. C21-8252



CANON LENS EF 300 mm 1:2.8 L USM

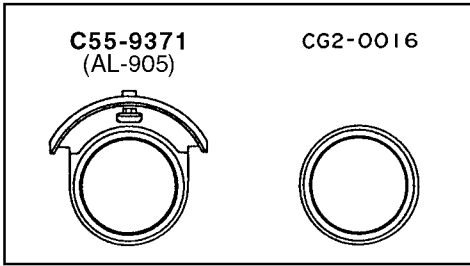
REF.NO. C21-8252



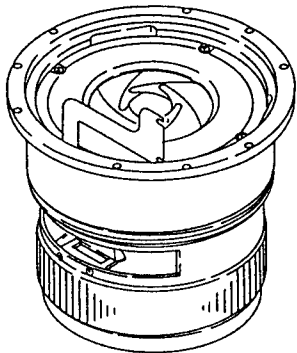
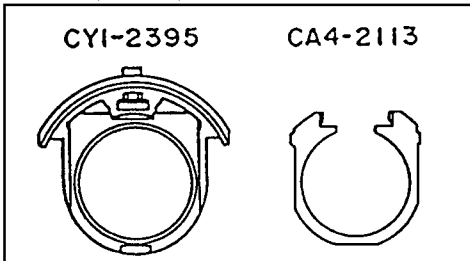
CANON LENS EF 300 mm 1:2.8 L USM

REF.NO. C21-8252

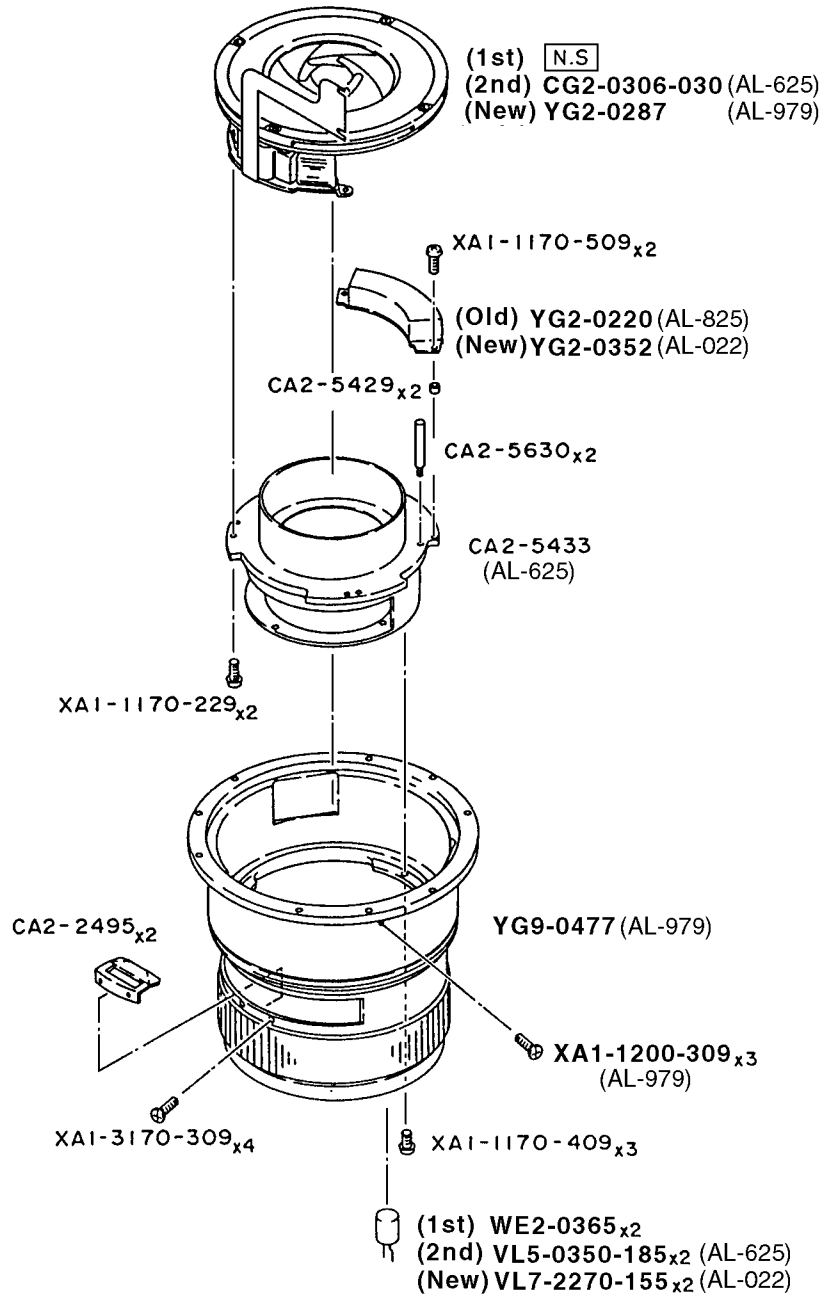
(Old)



(New) (AL-735)



N.S



PARTS LIST

REF.NO. C21-8252

NEW	PARTS NO.	CLASS	QTY	DESCRIPTION	PAGE
	C55-9371-000	D	1	FILTER HOLDER UNIT (Old)	5
	CA2-2455-000 (XXX)	E	1	RING, SNAP	1
	CA2-2457-000	E	1	COLLAR, ASSEMBLY	1
	CA2-2459-000 (XXX)	E	1	RING, SNAP	1
	CA2-2469-000	D	1	SOCKET, TRIPOD	3
	CA2-2484-000 (XXX)	E	1	RING, SNAP	2
	CA2-2495-000	D	2	GUIDE, FILTER	5
	CA2-2496-000	C	1	SEAL, RUBBER	2
	CA2-4586-000		5	SCREW, CROSS-RECESS, PH	3
	CA2-5403-000	E	1	COLLAR, ASSEMBLY	2
	CA2-5405-020	D	1	RING, RUBBER	1
	CA2-5406-000	D	1	RING, FOCUSING SCALE	4
	CA2-5426-002	E	1	SLEEVE	4
	CA2-5429-000	E	2	SPACER	5
	CA2-5430-000	E	1	HOLDER, MAIN FLEX CBA	3
	CA2-5433-000	E	1	SLEEVE, IRIS	5
	CA2-5435-000	D	1	CONTACT ASS'Y	3
	CA2-5436-000	E	1	COVER, BACK (Old)	3
	CA2-5436-001	E	1	COVER, BACK (New)	3
	CA2-5439-060	E	1	CONTACT L	2
	CA2-5440-000	E	1	ADJUST BASE, E BRUSH	2
	CA2-5442-050	E	1	CONTACT R	2
	CA2-5445-000		3	SCREW	2
	CA2-5446-000	D	1	SLEEVE, INDICATOR	2
	CA2-5459-000	D	2	LUG, STRAP	3
	CA2-5460-000	E	2	NUT	3
	CA2-5461-000	E	2	NUT, SLEEVE	3
	CA2-5462-000	D	2	GUARD, LUG	3
	CA2-5463-000	D	1	COLLAR, ASSEMBLY	3
	CA2-5464-000	D	1	RING, CLICK	2
	CA2-5465-001	D	1	RING, TRIPOD	3
	CA2-5466-001	D	1	BASE, TRIPOD	3
	CA2-5467-000	D	1	KNOB	3
	CA2-5468-000	E	1	NUT, LOCK	3
	CA2-5469-000	E	1	WASHER	3
	CA2-5601-000	D	1	BARREL, G1 (Old)	1
	CA2-5601-001	D	1	BARREL, G1 (New)	1
	CA2-5602-000	E	1	COLLAR, ASSEMBLY	1
	CA2-5604-000	E	1	COLLAR, ASSEMBLY	1
	CA2-5605-000	E	1	BARREL, LENS	1
	CA2-5606-000	C	1	PROTECTOR	1
	CA2-5607-001	D	1	BARREL, G5	1
	CA2-5608-020	D	1	RING, RUBBER	1
	CA2-5609-001	D	1	RING, FOCUS PRESET	2
	CA2-5610-000	E	2	SPRING, PLATE	2

PARTS LIST

REF.NO. C21-8252

NEW	PARTS NO.	CLASS	QTY	DESCRIPTION	PAGE
	CA2-5611-000	E	1	STOPPER, F.P. RING	2
	CA2-5614-000	E	1	WASHER, FLARE CUT	2
	CA2-5615-000	E	1	HOLDER, BALL	3
	CA2-5616-000	E	1	SPRING, COIL	3
	CA2-5628-000	D	1	PLATE, NAME	3
	CA2-5629-000	E	1	SCREW, SHAFT	4
	CA2-5630-000	E	2	STUD	5
	CA4-2113-000	D	1	HOLDER, GELATIN (New)	5
	CF2-1038-000	E	1	BEEPER	3
	CG2-0016-000	D	1	FILTER UNIT (Old)	5
	CG2-0306-030	D	1	POWER DIAPHRAGM UNIT (2nd)	5
	CG2-0310-000	D	1	MAIN FLEX CBA (2nd)	4
	CG2-0310-090	D	1	MAIN FLEX CBA (3rd)	4
	CG9-5203-000	E	1	RING ASS'Y, TRIPOD	2,3
	CG9-5259-000	E	1	SUB FLEX CBA	3
	CH1-0807-000	E	1	SW-FLEX	2
	CH9-0148-000	E	2	SWITCH, SLIDE	2
	CH9-0149-000	E	3	SWITCH, SLIDE	2
	CN2-1001-000	D	1	LENS, G1 (Old)	1
	CN2-1002-000	D	1	LENS, G2	1
	CN2-1003-000	D	1	LENS, G3	1
	CN2-1005-000	D	1	LENS, G5	1
	CP2-1007-000	D	1	LENS, G6/7	2
	CP2-1009-000	D	1	LENS, G8/9	2
	CY1-2248-000	D	1	RING, MANUAL FOCUSING	1
	CY1-2250-000	D	1	SWITCH PANEL UNIT	2
	CY1-2251-000	E	1	PRESET SWITCH UNIT	2
	CY1-2256-000	D	1	FOCUSING CONTACT UNIT	2
	CY1-2297-000	D	1	FOCUSING UNIT (2nd)	4
	CY1-2395-000	D	1	FILTER HOLDER UNIT (New)	5
	CY1-2560-000	D	1	MOUNT, LENS	3
	CY1-2604-000	D	1	LENS, G4	1
	CY1-2673-000	E	1	PCB ASS'Y, RELAY	4
	CY1-2795-000	D	1	FOCUSING UNIT (New)	4
	VL5-0350-185	E	2	COIL (2nd)	5
	VL7-2270-155	E	2	COIL (New)	5
	VR5-0071-002	E	1	RESISTOR 10KOHM 1/8W	4
	VV1-6118-102	E	1	RESISTER, 1K 1/10W	4
	WE2-0365-000	E	2	COIL (1st)	5
	X99-0640-000		4	SCREW, CROSS-RECESS, PH	2
	XA1-1170-169		10	SCREW, CROSS-RECESS, PH	2, 4
	XA1-1170-229		2	SCREW, CROSS-RECESS, PH	5
	XA1-1170-409		3	SCREW, CROSS-RECESS, PH	5
	XA1-1170-509		2	SCREW, CROSS-RECESS, PH	5
	XA1-1200-309		3	SCREW, CROSS-RECESS, PH	5

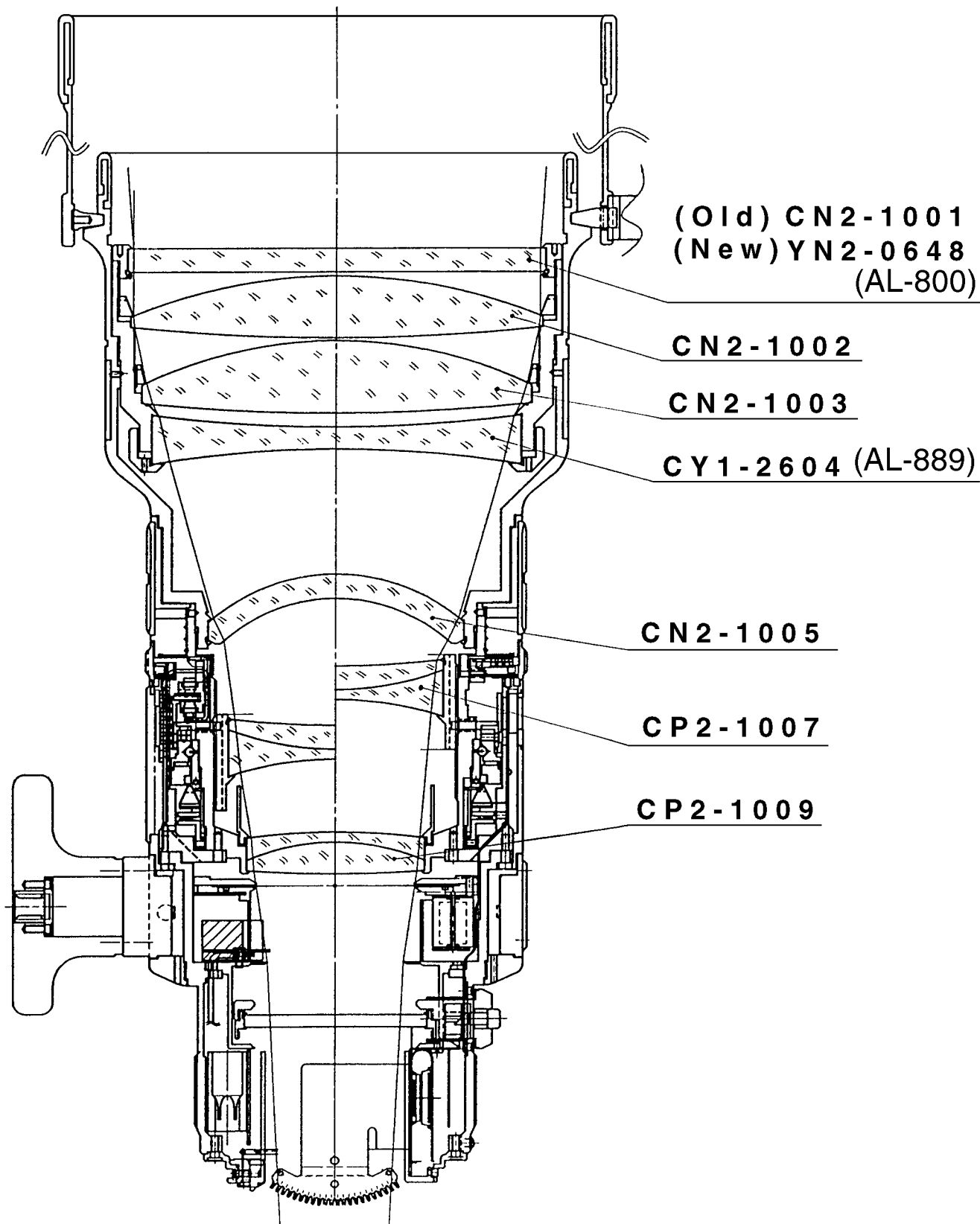
PARTS LIST

REF.NO. C21-8252

NEW	PARTS NO.	CLASS	QTY	DESCRIPTION	PAGE
	XA1-1200-609		5	SCREW, PH2X6	2
	XA1-1260-607		1	SCREW, CROSS-RECESS, PH	3
	XA1-3170-309		4	SCREW, CROSS-RECESS, PH	5
	XA1-3200-507		2	SCREW, CROSS-RECESS, PH	3
	XA1-4170-256		4	SCREW, CROSS-RECESS, PH	3
	XA1-6170-169		3	SCREW, CROSS-RECESS, PH	3
	XA1-6170-259		8	SCREW, CROSS-RECESS, PH	2
	XA1-6170-309		2	SCREW, CROSS-RECESS, PH	2
	XA1-6170-359		4	SCREW, CROSS-RECESS, PH	2
	XA1-6200-559		8	SCREW, CROSS-RECESS, PH	4
	XA1-7170-559		2	SCREW, CROSS-RECESS, PH	2
	XA1-7200-506		4	SCREW, CROSS-RECESS, PH	3
	XA1-7200-606		4	SCREW, CROSS-RECESS, PH	3
	XA6-1170-209		3	SETSCREW, SLOTTED, HLCP	3
	XA6-1170-229		9	SETSCREW, SLOTTED, HLCP	1
	XA6-1170-309		2	SETSCREW, SLOTTED, HLCP	2
	XA6-1170-559		6	SETSCREW, SLOTTED, HLCP	3
	XA9-0392-000		4	BOLT, HEXAGON SOCKET	3
	XD1-1101-833		4	WASHER	2
	XG8-1100-022		1	BALL, STEEL	3
	Y11-3709-000			LEAD (GREEN)	
	Y11-3901-000			LEAD (WHITE)	
	Y11-3902-000			LEAD (BLACK)	
	Y11-3903-000			LEAD (RED)	
	Y11-3906-000			LEAD (ORANGE)	
	Y11-3907-000			LEAD (YELLOW)	
	Y11-3909-000			LEAD (GREEN)	
	Y11-3911-000			LEAD (BLUE)	
	Y11-3912-000			LEAD (PURPLE)	
	Y11-5002-000			LEAD (BLACK)	
	Y11-5003-000			LEAD (RED)	
	YA2-0231-020		2	SCREW, CROSS-RECESS, PH	4
	YA2-2514-000	D	1	WINDOW, DEPTH OF FIELD (New)	2
	YF1-0070-000	E	1	BEEPER	3
	YF2-0095-000	D	1	MOUNT, LENS	3
	YG2-0220-000	D	1	CONVERTER, DC/DC (Old)	5
	YG2-0287-000	D	1	POWER DIAPHRAGM UNIT (New)	5
	YG2-0351-000	D	1	FPC ASS'Y, MAIN (New)	4
	YG2-0352-000	D	1	CONVERTER, DC/DC (New)	5
	YG9-0477-000	D	1	BARREL, FIXED	5
	YH1-0196-000	D	1	CONTACT BOARD, M-FOCUS	1
	YN2-0648-000	D	1	LENS, G1 (New)	1

CANON LENS EF 300 mm 1:2.8 L USM

REF.NO. C21-8252



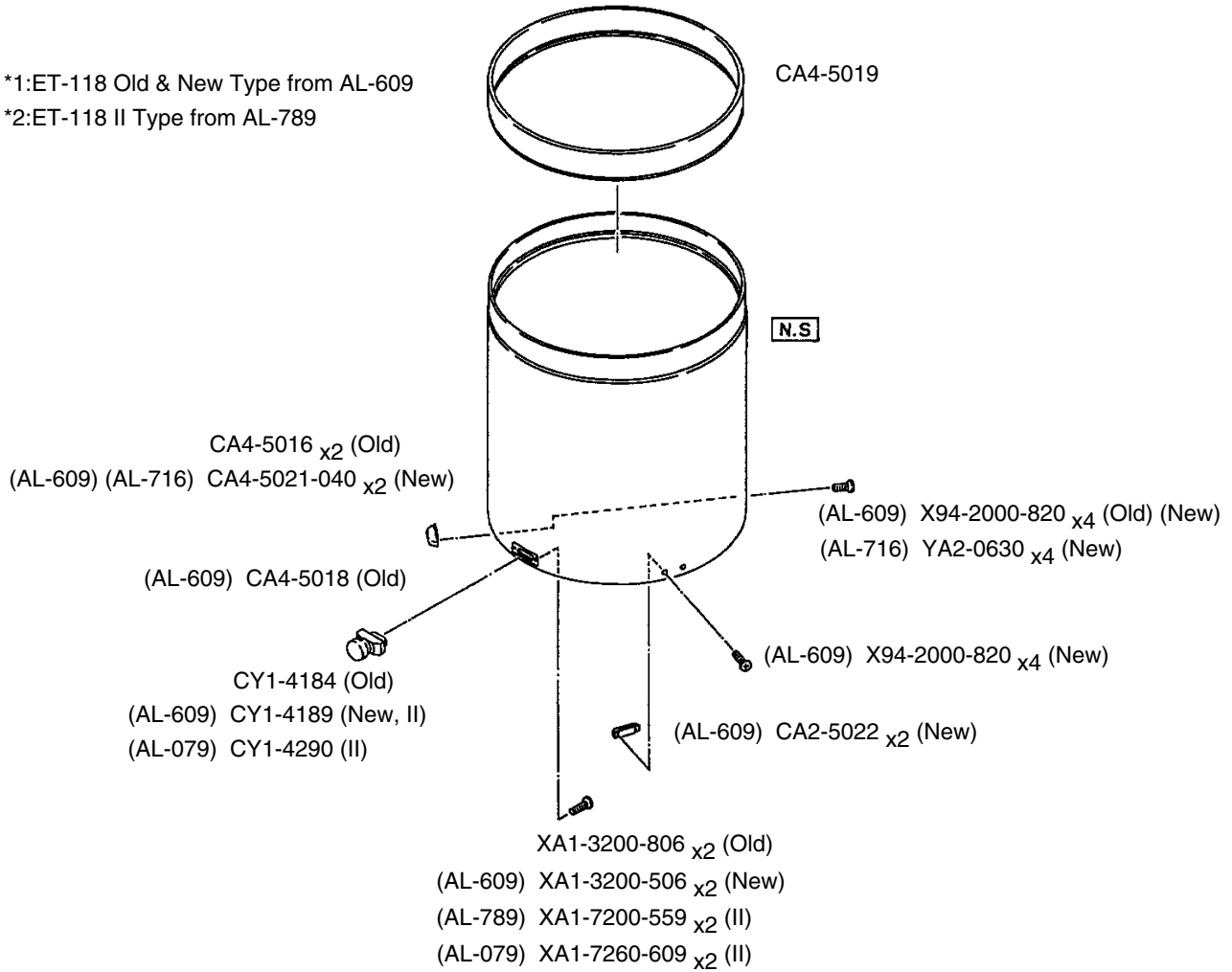
CANON LENS HOOD

ET-118 (Old & New)*¹ For EF 300 mm 1:2.8 L
ET-118 II*² For EF 300 mm 1:2.8 L

REF.NO. C44-8121
C44-8122

*1:ET-118 Old & New Type from AL-609

*2:ET-118 II Type from AL-789



LENS HOOD ET-118, ET-118 II

NEW	PART NO.	CLASS	QTY	DESCRIPTION
	CA4-5016-000	D	2	TAB, HOOD
	CA4-5018-000	E	1	SPACER
	CA4-5019-000	D	1	PROTECTOR
	CA4-5021-040	E	2	TAB-1, HOOD
	CA4-5022-000	E	2	TAB-2, HOOD
	CY1-4184-000	D	1	LOCK UNIT
	CY1-4189-000	D	1	LOCK UNIT
	CY1-4290-000	D	1	LOCK UNIT
	X94-2000-820		8	SCREW
	XA1-3200-506		2	SCREW
	XA1-3200-806		2	SCREW
	XA1-7200-559		2	SCREW
	XA1-7260-609		2	SCREW
	YA2-0630-000		4	SCREW