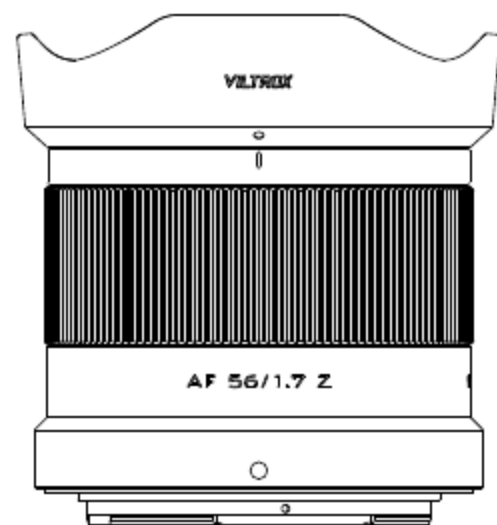


VILTROX

AF 56/1.7 Z

Z-Mount



Thank you for choosing Viltrox Lens !

Before mounting the lens onto your camera, please read this manual carefully so as to understand and use all the functions of the Lens.

Shenzhen Jueying Technology Co., Ltd

Standard: GB/T9917.2-2008

TEL: +86-755-2877 9024

MAIL: info@viltrox.com

Address: 1207, Floor 12, Block B, Chinto Science&Technology

Building, Minzhi Street, Longhua, Shenzhen, Guangdong, China

FAX: 0755-2877 4730

URL: www.viltrox.com



Features

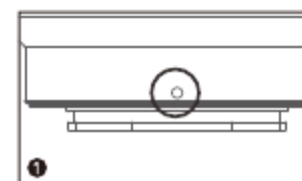
AF 56 / 1.7 Z is an auto focus lens suitable for Z-mount, with 11 elements in 9 groups, the focus distance is about 0.55m - ∞, and noiseless STM focus motor can accurately control the moving position and bring accurate and smooth focusing.

- * 56mm focal length, F1.7 aperture
- * 9 groups of 11 optical structures, including 4 ED lenses, 3 lenses with high refractive index
- * Electronic aperture, internal focus mechanism, supports autofocus
- * Precision hardened aluminum alloy bayonet
- * Quiet STM focus motor, fast and accurate focusing
- * Convenient and light
- * Supports multiple camera shooting modes and EXIF information transmission

Attaching and Detaching the Lens

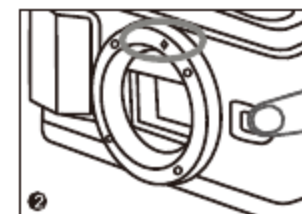
● To attach the lens

Align the white index on the lens barrel with the white index on the camera, then insert the lens into camera mount and rotate it Anti-clockwise until it locks. (For further details of attaching and detaching lens, please kindly refer to the User Manual of the camera.)



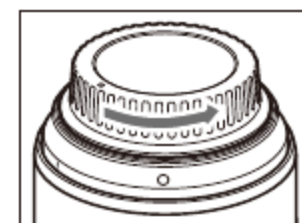
● To detach the lens

While holding down the lens release button on the camera, rotate the lens Clockwise until it stops, then detach the lens. Please place the back of the lens upward to avoid scratches on the lens surface and the electronic contacts.



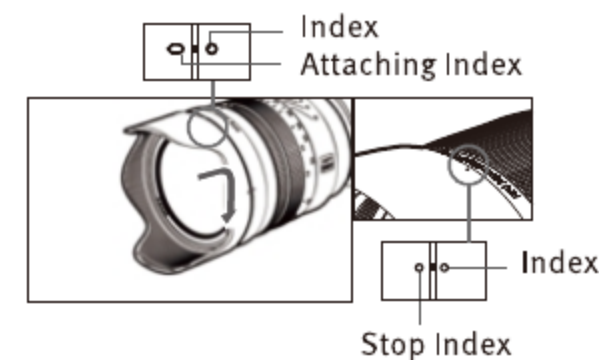
● Lens cap

When lens is detached, please cover it with a dust cap. Align the mounting index on the dust cap with the mounting index on the lens, then rotate the cap Anti-clockwise until it stops. And rotate it Clockwise when removing the cap.



Lens Hood

Lens hood is used to reduce flare or scattering light of ghost and avoid rain, snow and dust sticking to the front of the lens.



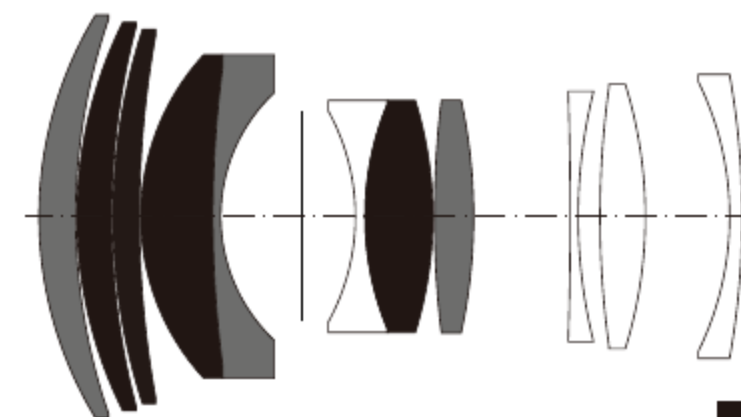
● Detaching the Lens Hood

Rotate the lens hood counterclockwise until the attaching index is aligned with the index on the lens, then remove the lens hood. The lens hood can be attached or stored in the opposite direction.

● Attaching the Lens Hood

Align the attaching index on the lens hood with the index on the lens, then insert the lens hood into the lens mount and rotate it clockwise until it clicks and now the stop index on the lens hood should match the index on the lens.

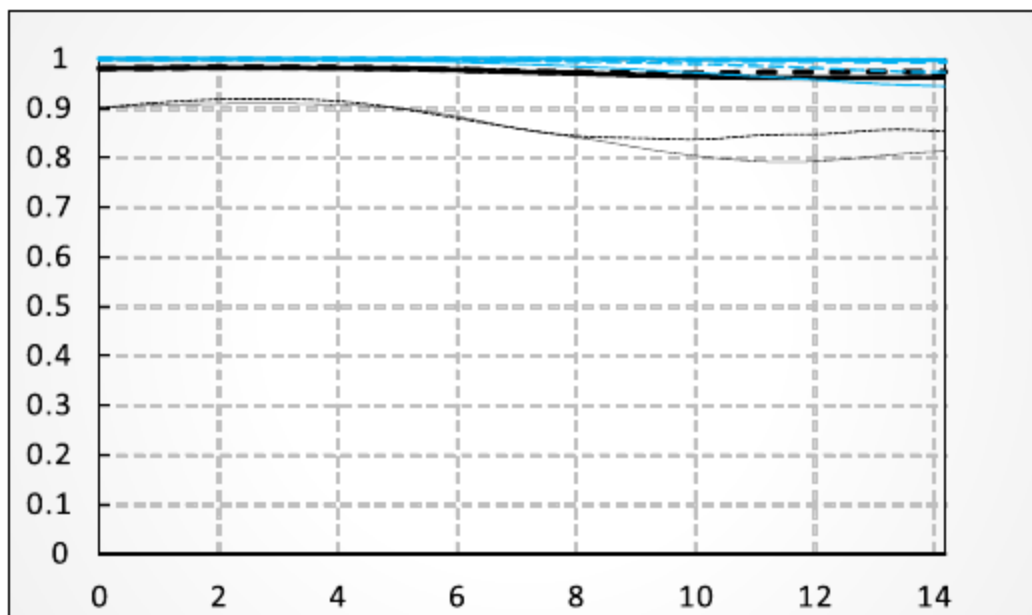
Lens Construction Diagram



■ ED low-dispersion lenses

■ Lens with high refractive index

MTF Graph



Spatial Frequency	F1.7		F8	
	S	M	S	M
10 Line Pair/ Millimeter				
30 Line Pair/ Millimeter				

⚠ Safety Notes

- * Do not look at the sun or bright source through the lens or camera, otherwise the vision will be impaired.
- * Do not place the lens in the sun, regardless of whether it is mounted on the camera, otherwise the lens may fuse and cause a fire.
- * Do not place the lens in a child-sensitive area, otherwise it risks accident or injury.
- * Please do not disassemble the internal parts of the product yourself, which may cause damage.

⚠ Using Tips

- * When attaching the lens, be careful not to let it be hit by a mechanical impact.
- * When stored, please make sure to put the lens cap on the lens.
- * Please do not store the lens in a very humid place for fear of mildew.
- * The lens is not water-resistant, so it must be used carefully when it is raining or near water. If the internal parts, lens or the electrical components are damaged by water, it is probably unable to repair.
- * Temperature shock may cause fog or water droplets on the lens surface, so while going into a warm indoor environment in the cold weather, it would better place the lens in an airtight plastic bag or an oven until the lens temperature gets close to the room temperature. Please use the same method when taking the lens from a warm environment to a cold one.

🧼 Cleaning

- * Please don't touch the contacts on the lens with your hand. If the lens gets dirty, blow off the dust with a lens-nosed tiger and rub slightly with a clean, soft lens cloth (cleaning cloth).
- * Please do not use any organic solvent, such as dilute or gasoline to clean the lens.

📄 Specification

Item	AF 56/1.7 Z
Lens Mount	Z-mount
Lens Elements	11/9
Focal Length <small>(equivalent to 35mm format)</small>	f=56mm (85mm)
Viewing Angle	29.8°
Aperture	F1.7-F16
Number of Aperture Blades	9
Shooting Distance	0.55m-∞
Focus Mechanism	Internal focus
Focus Motor	STM+Lead screw
Focus Mode	MF, AF
Max. magnification	0.11×
Lens Size (Diameter/Length) <small>(Diameter x length) Distance from the camera lens bayonet flange</small>	Φ68x55.9 mm
Weight	≈187g
Filter Size	Φ52mm

The Company reserves the right to change the appearance, technical specifications and performance of this product at any time.