

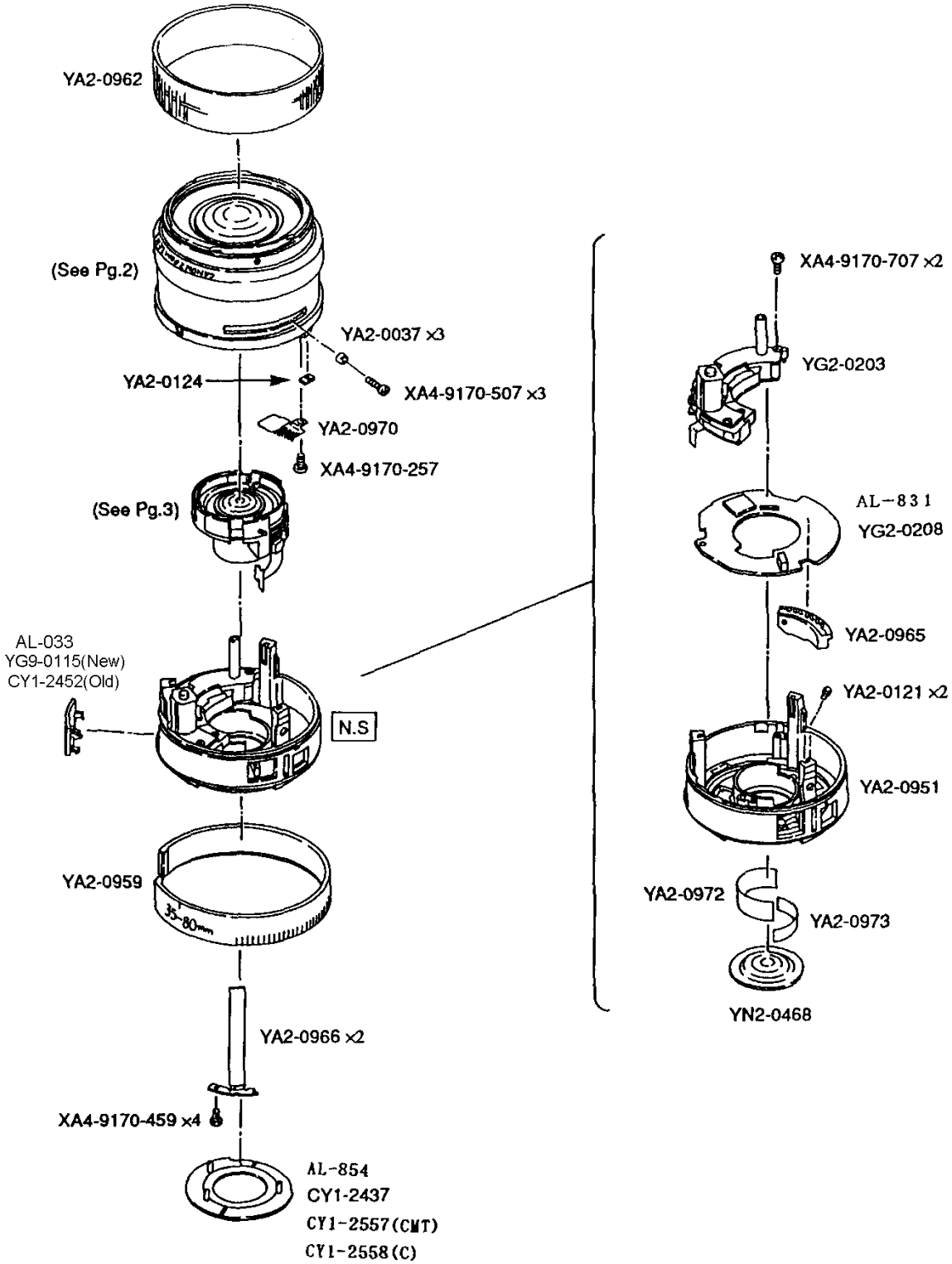
Canon

EF 35-80mm 1:4.0-5.6II

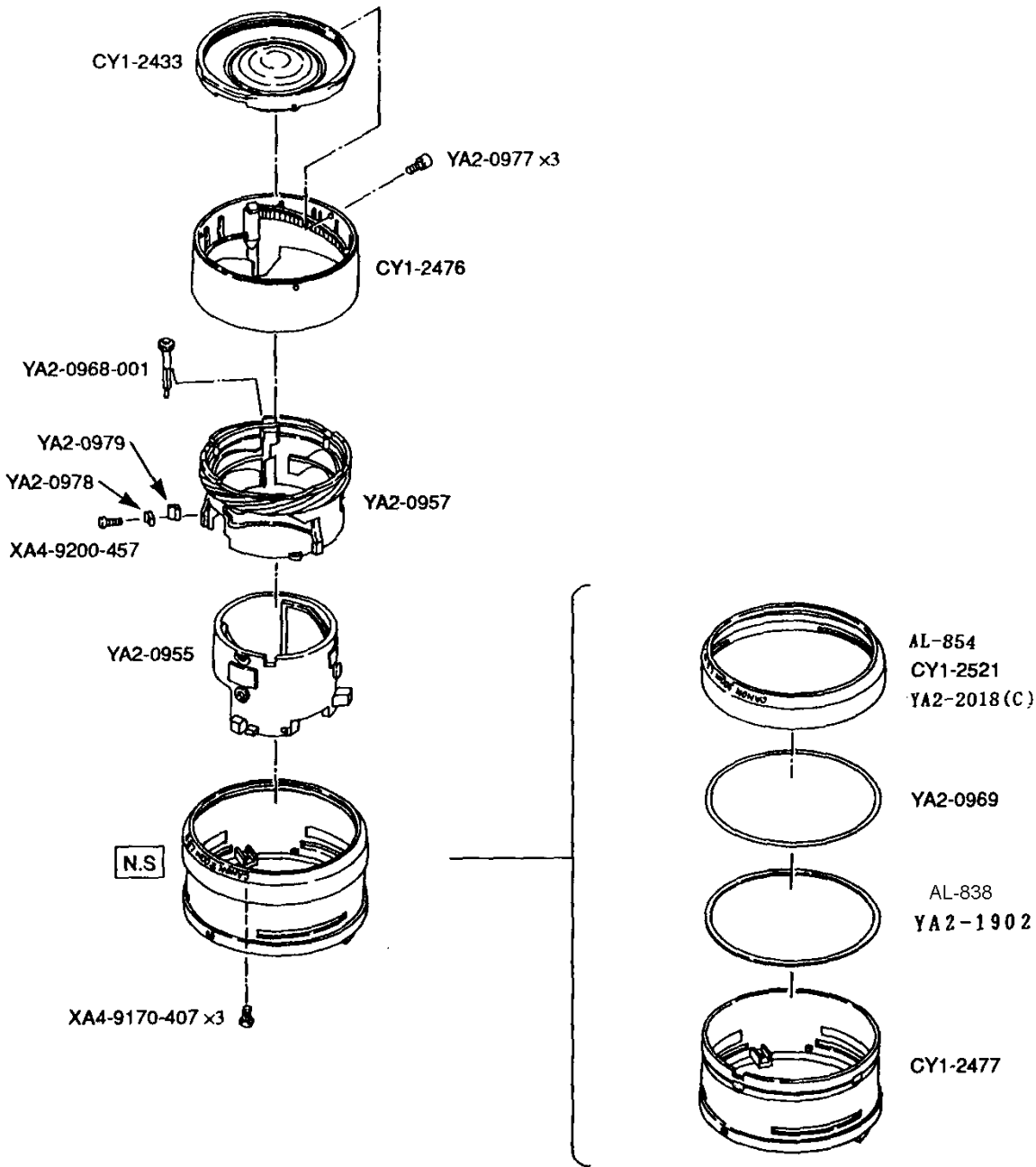
REF.NO.C21-9781

**PARTS
CATALOG**

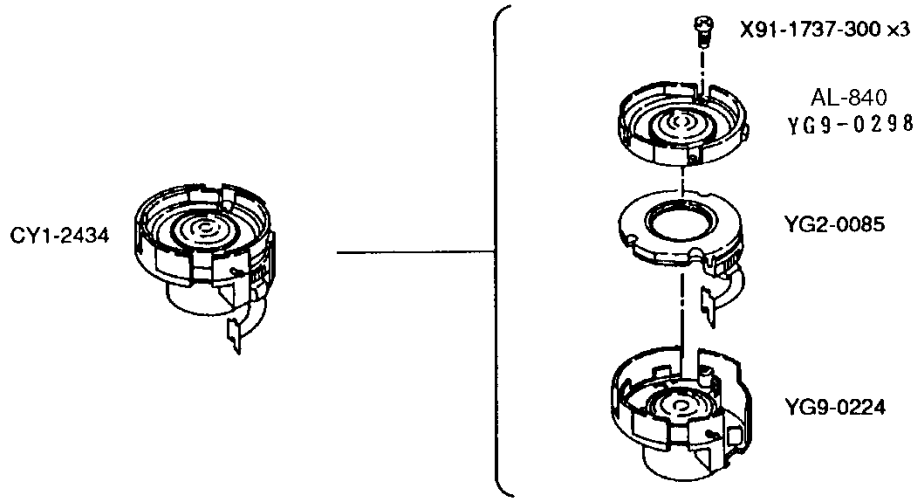
CANON LENS EF 35-80mm 1:4.0-5.6 II



CANON LENS EF 35-80mm 1:4.0-5.6 II



CANON LENS EF 35-80mm 1:4.0-5.6 II



PARTS LIST

REF.NO.C21-9781

NEW	PARTS NO.	CLASS	QTY	DESCRIPTION	PAGE
	CY1-2433-000	D	1	FRONT LENS(G1-3) ASS'Y	2
	CY1-2434-000	D	1	LENS/DIAPHRAGM UNIT	3
	CY1-2437-000	D	1	COVER, BACK	1
	CY1-2452-000(Old)	D	1	A/M SWITCH ASS'Y	1
	CY1-2476-000	D	1	BARREL, HELICOID	2
	CY1-2477-000	E	1	RING, ZOOMING	2
	CY1-2521-000	D	1	RING, NAME	2
	CY1-2557-000	D	1	COVER, BACK	1
	CY1-2558-000	D	1	COVER, BACK	1
	TA2-0962-000	E	1	RING, RUBBER	1
	TA2-0965-000	D	1	CONTACT ASS'Y	1
	X91-1737-300		3	SCREW	3
	XA4-9170-257		1	SCREW	1
	XA4-9170-407		3	SCREW	2
	XA4-9170-459		4	SCREW	1
	XA4-9170-507		3	SCREW	1
	XA4-9170-707		2	SCREW	1
	XA4-9200-457		1	SCREW	2
	YA2-0037-000	D	3	COLLAR, ZOOMING	1
	YA2-0121-000		2	SCREW, SLOTTED FFH	1
	YA2-0124-000	D	1	RUBBER, FRICTION	1
	YA2-0951-000	D	1	MOUNT, LENS	1
	YA2-0955-000	E	1	BARREL, CAM	2
	YA2-0957-000	D	1	BARREL, HELICOID	2
	YA2-0959-000	D	1	RING, INDEX	1
	YA2-0966-000	E	2	KEY	1
	YA2-0968-001	E	1	GEAR, FOCUSING	2
	YA2-0969-000	E	1	WASHER, DUST SHIELD	2
	YA2-0970-000	D	1	BRUSH, ZOOMING	1
	YA2-0972-000	D	1	STRIP, ANTI RIFLECTION	1
	YA2-0973-000	D	1	STRIP, ANTI RIFLECTION	1
	YA2-0977-000		3	SCREW	2
	YA2-0978-000	E	1	STOP, FOCUSING	2
	YA2-0979-000	E	1	STOP, RUBBER	2
	YA2-1902-000	E	1	RING, REINFORCEMENT	2
	YA2-2018-000	D	1	RING NAME	2
	YA9-0115-000(New)	D	1	A/M SWITCH ASS'Y	1
	YG2-0085-000	D	1	POWER DIAPHRAGM UNIT	3
	YG2-0203-000	D	1	AF DRIVE UNIT	1
	YG2-0208-000	D	1	MAIN PCB ASS'Y	1
	YG9-0224-000	E	1	REAR LENS(G5-7) ASS'Y	3
	YG9-0298-000	E	1	LENS, G4 W/FRAME	3
	YN2-0468-000	D	1	LENS, G8	1

CANON LENS EF 35-80mm 1:4.0-5.6 II

