

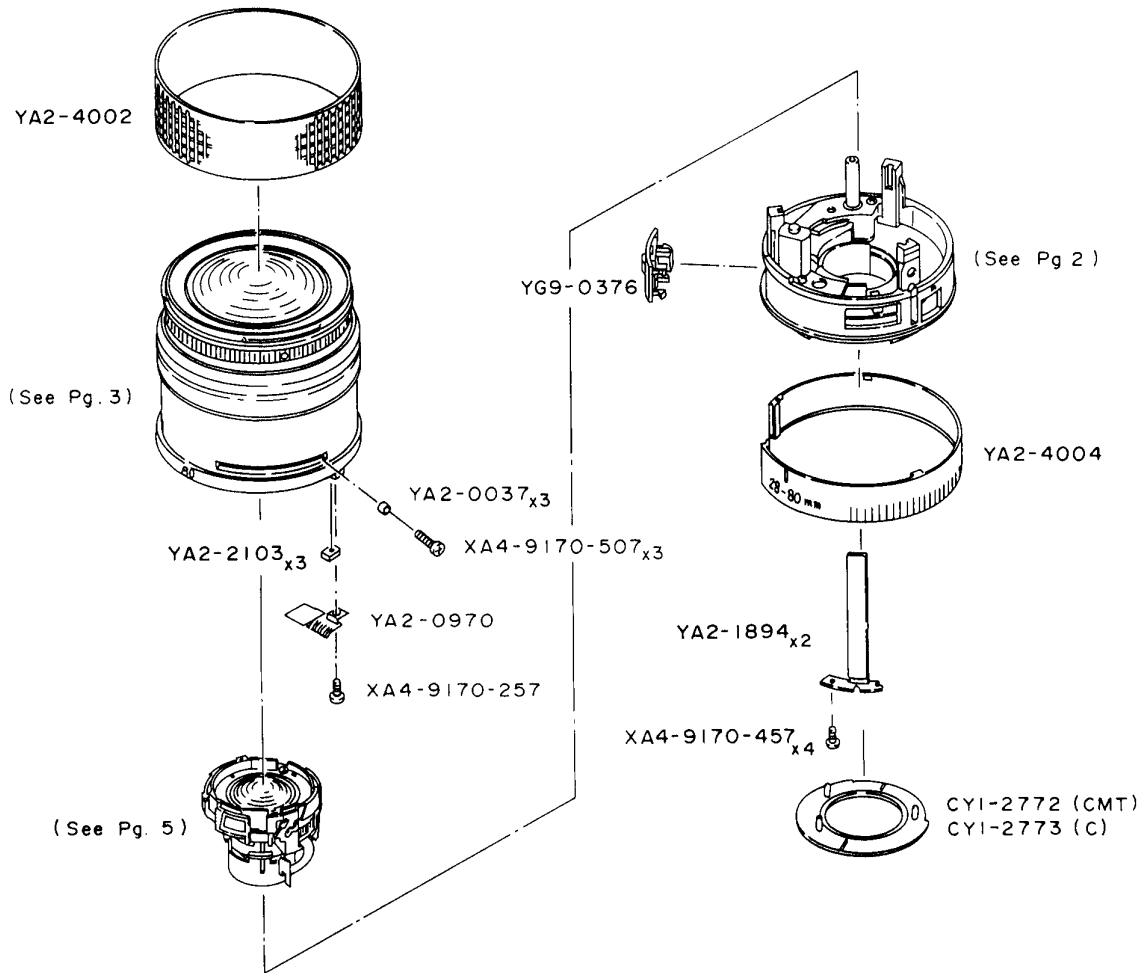
Canon

EF 28-80mm 1:3.5-5.6 II
REF.NO.C21-9902

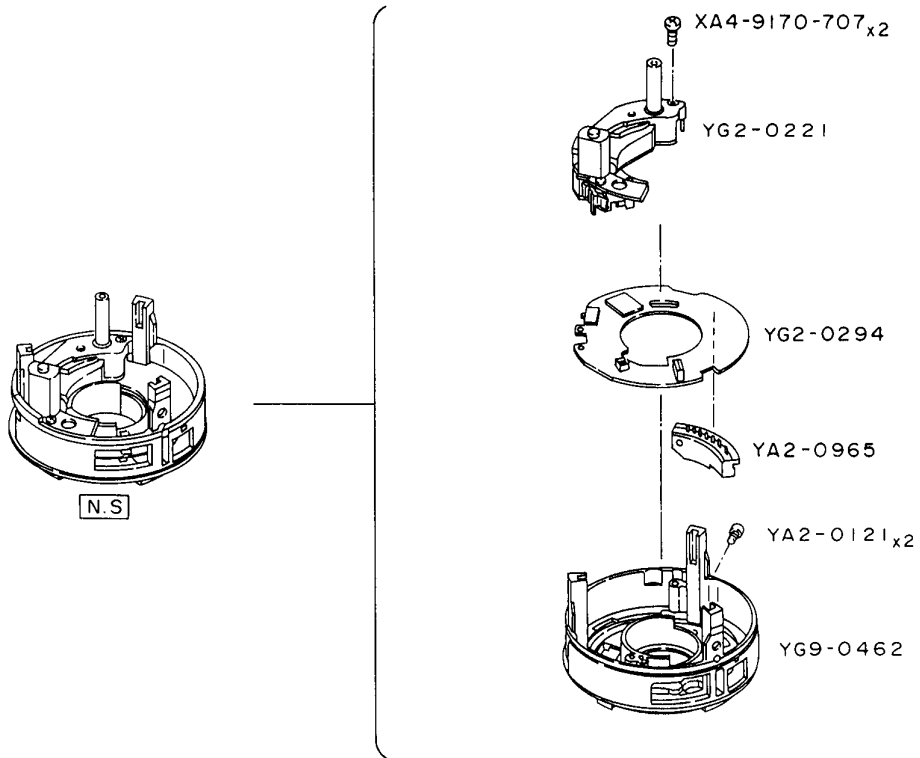
PARTS CATALOG

CODE	Country of Origin
C	CANON INC.
CMT	CANON INC. MADE IN TAIWAN

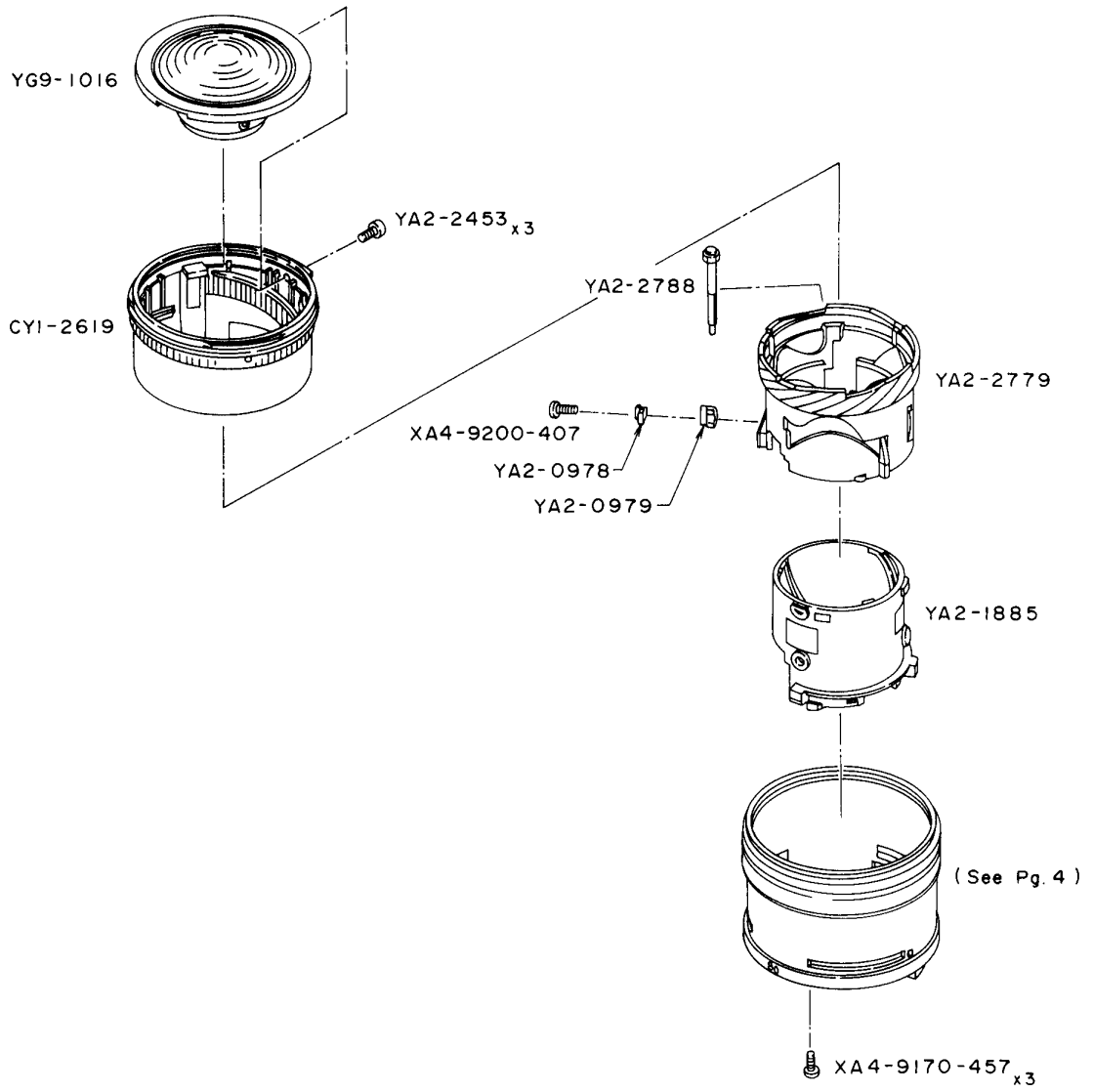
CANON LENS EF 28-80 mm 1:3.5-5.6 II



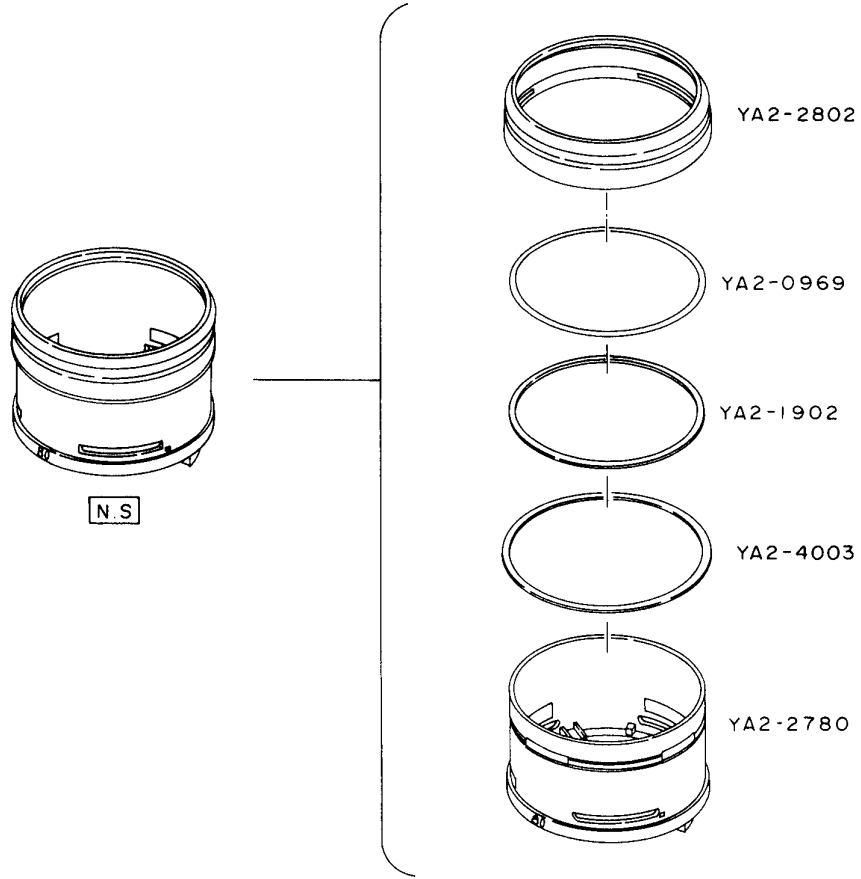
CANON LENS EF 28-80 mm 1:3.5-5.6 II



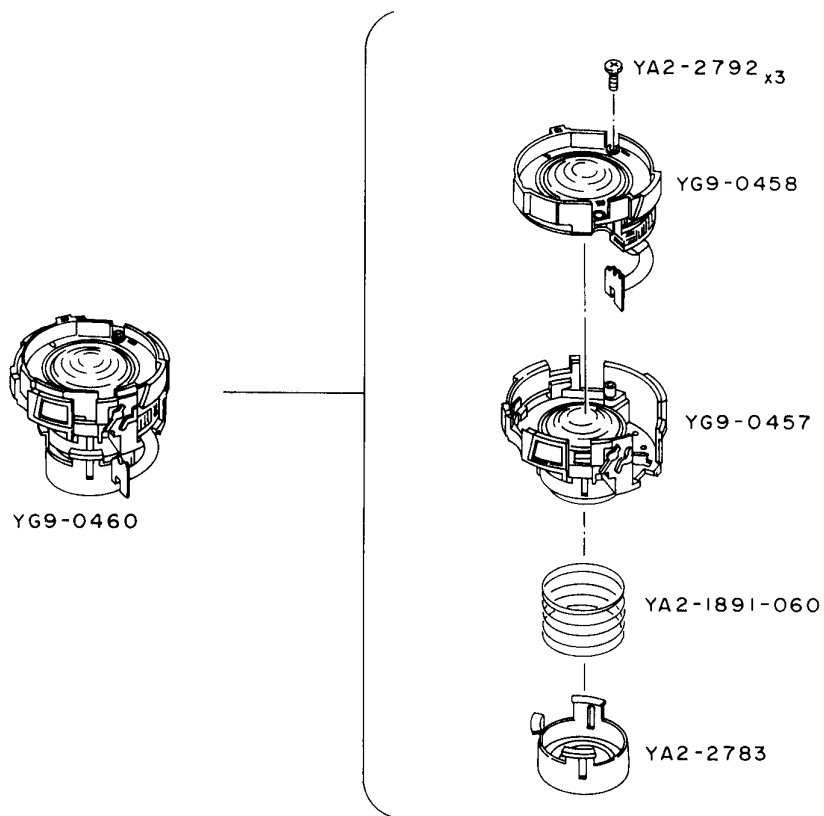
CANON LENS EF 28-80mm 1:3.5-5.6 II



CANON LENS EF 28-80 mm 1:3.5-5.6 II



CANON LENS EF 28-80 mm 1:3.5-5.6 II



PARTS LIST

REF.No.C21-9902

NEW	PARTS NO.	CLASS	QTY	DESCRIPTION	PAGE
	CY1-2619-000	D	1	HELICOID, OUTER	3
	CY1-2772-000	D	1	COVER, BACK (CMT)	1
	CY1-2773-000	D	1	COVER, BACK (C)	1
	XA4-9170-257		1	SCREW, CROSS-RECESS, PH	1
	XA4-9170-457		7	SCREW, CROSS-RECESS, PH	1,3
	XA4-9170-507		3	SCREW, CROSS-RECESS, PH	1
	XA4-9170-707		2	SCREW, CROSS-RECESS, PH	2
	XA4-9200-407		1	SCREW, CROSS-RECESS, PH	3
	Y11-3902-000	F	1	LEAD (BLACK)	2
	Y11-3913-000	F	1	LEAD (BROWN)	2
	YA2-0037-000	D	3	COLLAR, ZOOMING	1
	YA2-0121-000	F	2	SCREW, SLOTTED, FFH	2
	YA2-0965-000	D	1	CONTACT ASS'Y	2
	YA2-0969-000	E	1	WASHER, DUST SHIELD	4
	YA2-0970-000	D	1	BRUSH, ZOOMING	1
	YA2-0978-000	E	1	STOP, FOCUSING	3
	YA2-0979-000	E	1	STOP, RUBBER	3
	YA2-1885-000	E	1	BARREL, CAM	3
	YA2-1891-060	E	1	SPRING, FLARE-CUT APERTURE	5
	YA2-1894-000	D	2	KEY	1
	YA2-1902-000	E	1	RING, REINFORCEMENT	4
	YA2-2103-000	D	3	RUBBER, FRICTION	1
	YA2-2453-000	F	3	SCREW, CROSS-RECESS, PH	3
	YA2-2779-000	D	1	HELICOID, INNER	3
	YA2-2780-000	D	1	RING, ZOOMING	4
	YA2-2783-000	E	1	APERTURE, FLARE-CUT	5
	YA2-2788-000	E	1	GEAR, FOCUSING	3
	YA2-2792-000	F	3	SCREW, CROSS-RECESS, PH	5
	YA2-2802-000	D	1	RING, NAME	4
	YA2-4002-000	E	1	RING, RUBBER	1
	YA2-4003-000	D	1	RING, ACCENT	4
	YA2-4004-000	D	1	RING, INDEX	1
	YG2-0221-000	C	1	AF DRIVE UNIT	2
	YG2-0294-000	D	1	PCB ASS'Y, MAIN	2
	YG9-0376-000	C	1	A/M SWITCH ASS'Y	1
	YG9-0457-000	D	1	LENS ASS'Y, REAR	5
	YG9-0458-000	D	1	POWER DIAPHRAGM UNIT	5
	YG9-0460-000	D	1	LENS/DIAPHRAGM UNIT	5
	YG9-0462-000	D	1	MOUNT ASS'Y	2
	YG9-1016-000	D	1	LENS ASS'Y, FRONT	3

CANON LENS EF 28-80mm 1:3.5-5.6 II

